

Can-Am Commander Winch Mount

Verify that all hardware and parts are included in your package.

Can-Am Commander Winch Mount Contents

Item	Qty	Description
1	1	MA11945 Commander Mount
2	4	5/16" Nylock Nut
3	8	5/16" Washer
4	2	5/16" x 1.00" Bolt
5	2	5/16" x 1.25" Spacer
6	2	5/16" x 2.50" Bolt
7	1	MA11225 Wide to Narrow Bracket
8	2	M10 x 1.5 Bolt (In Winch Kit)

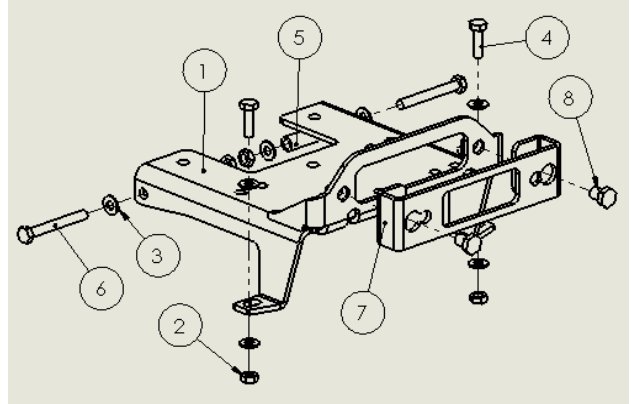


Figure 1

Installation Instructions:

- 1) Remove the plastic shroud on the front of the vehicle.
- 2) Insert the winch mount below the radiator so that the bottom wings sit on top of the 'U' shaped vehicle frame. Secure the two wings to the frame with the 5/16" x 1.00" bolts. Do not tighten yet. See FIGURE 1 & 2 for details.
- 3) Secure the back part of the winch mount using the 5/16" x 2 1/2" bolts. The bolts pass through the frame of the Commander. Be sure to insert the spacer between the two walls of the Commander frame. See FIGURE 3 for details.
- 4) Tighten all bolts securely.
- 5) Reinstall the plastic shroud that was taken off earlier.
- 6) Standard Spool winches ONLY (3" x 4.88" bolt pattern), require an additional fairlead mount bracket. Install the included mount bracket after the plastic shroud has been reinstalled. Use two M10 bolts to attach the bracket to the welded nuts on the Commander winch mount bracket. See Figure 5 for details. Attach the fairlead to this bracket.

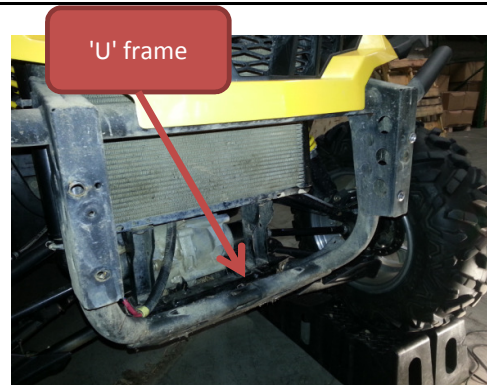


Figure 2

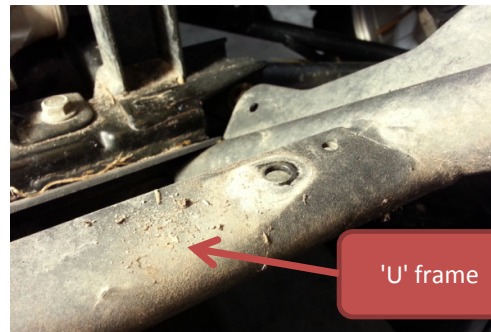
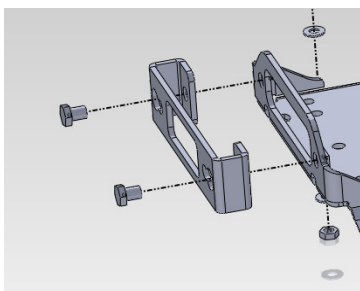


Figure 3



<-- Figure 5

Figure 4 -->

Secure the back part of the winch to the two uprights.

